

EP DIFFUSER

Revolutionary New Product
Made from Engineered Polymers

— Eliminates Metal —



Cone



Plaque

MORE DURABLE

- No rust, no corrosion
- Won't fade or yellow
- Scratches don't show
- No painting or repainting
- Won't bend
- Mildew resistant

EASY INSTALLATION

- 50% lighter than metal
- Extra tall neck - 2 3/8"
- No cut fingers/sharp edges
- Drop/damage resistant
- Compatible with standard duct and damper sizes

PEAK PERFORMANCE

- Air flow consistent with metal
- Antistatic
- Resists sweating
- Flame Resistant
(Meets UL94HB flame spread test)

ATTRACTIVE

- Consistent smooth finish
- More dimensionally stable
- Indistinguishable from metal when installed



AMERICAN LOUVER COMPANY®

www.americanlouver.com

EP DIFFUSER



Back side of cone diffuser

MATERIAL

Engineered Polymers
Aluminum screws

STYLES

Cone: 23.75" x 23.75" for T-grid ceilings
Plaque: 23.75" x 23.75" for T-grid ceilings

NECK SIZES

6", 8", 10", 12", 14" (nominal duct sizes)

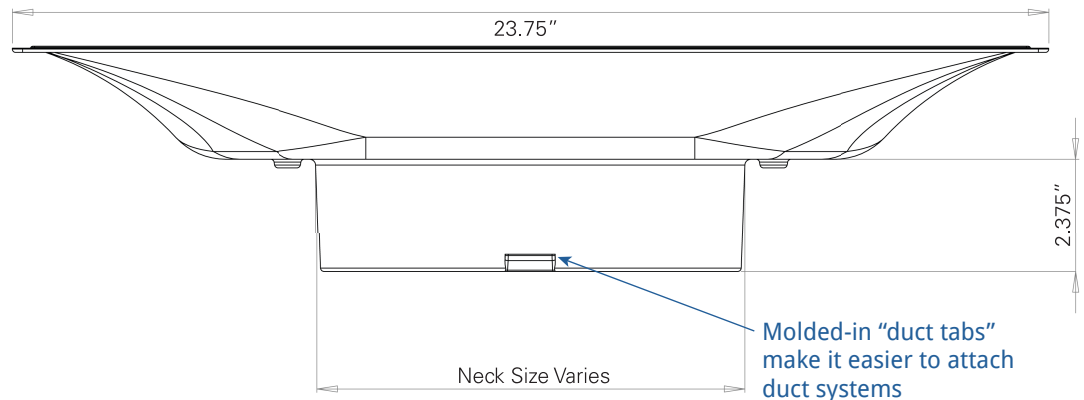
COLORS

White, Black
Custom colors available with minimum order quantity

Performance data available upon request

PERFECT FOR:

Hospitals
MRI Centers
Restaurants
Theaters
Food Processing
Offices
Commercial Buildings
Clean Environments



MADE IN THE USA

Distributed by:

 AMERICAN LOUVER COMPANY®
7700 N. Austin Avenue
Skokie, IL 60077
(800) 772-0355
FAX (847) 966-80742
www.americanlouver.com