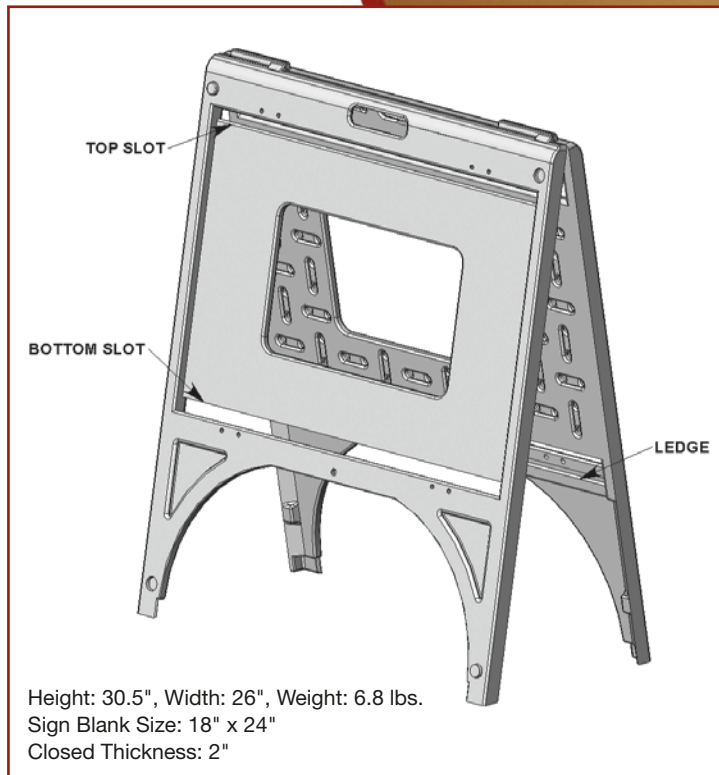
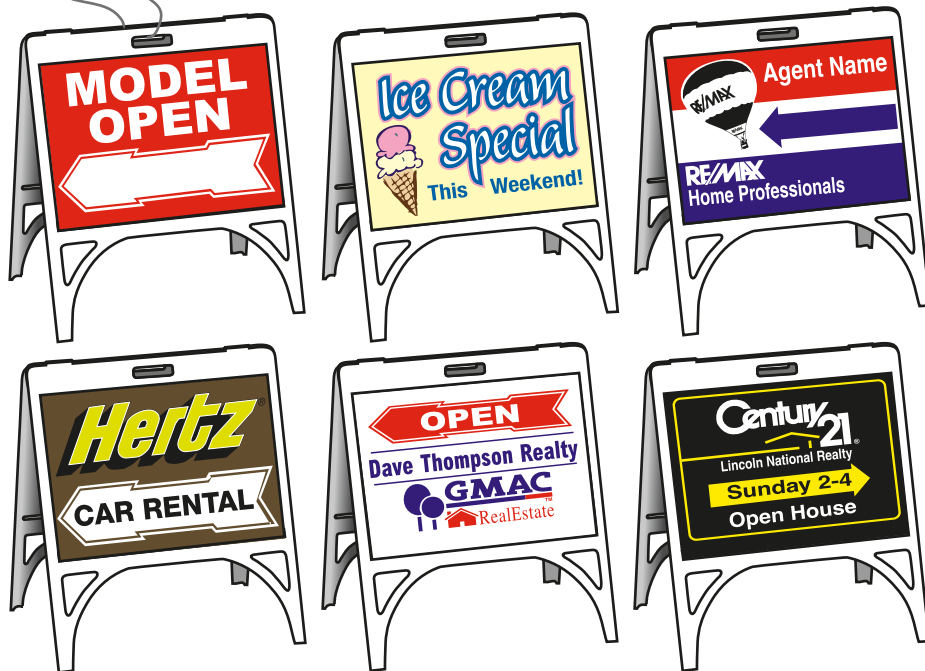


Quik Sign®

- Change signs in seconds with no extra hardware. Once installed, signs stay securely locked in place.
- Won't tear or scratch car seat upholstery. Plastic is far more friendly than steel.
- High density polyethylene assures no rust, splinters, discoloration or maintenance.
- Attractive, light weight, durable and inexpensive.
- Molded-in handle assures easy portability.
- Molded-in regress helps protect sign faces.
- Display two signs per unit.
- Molded-in 'stacking lugs' nest into each other when units are stacked which prevents sliding.



High visibility! Slip in a new blank and you're ready to go!



MADE IN THE USA
 US PATENTS
 #7,337,569 & #7,302,770

PLASTICADE® PRODUCTS

7700 Austin Avenue
 Skokie, IL 60077
 phone (800) 772-0355
 fax (847) 966-8074
www.plasticade.com